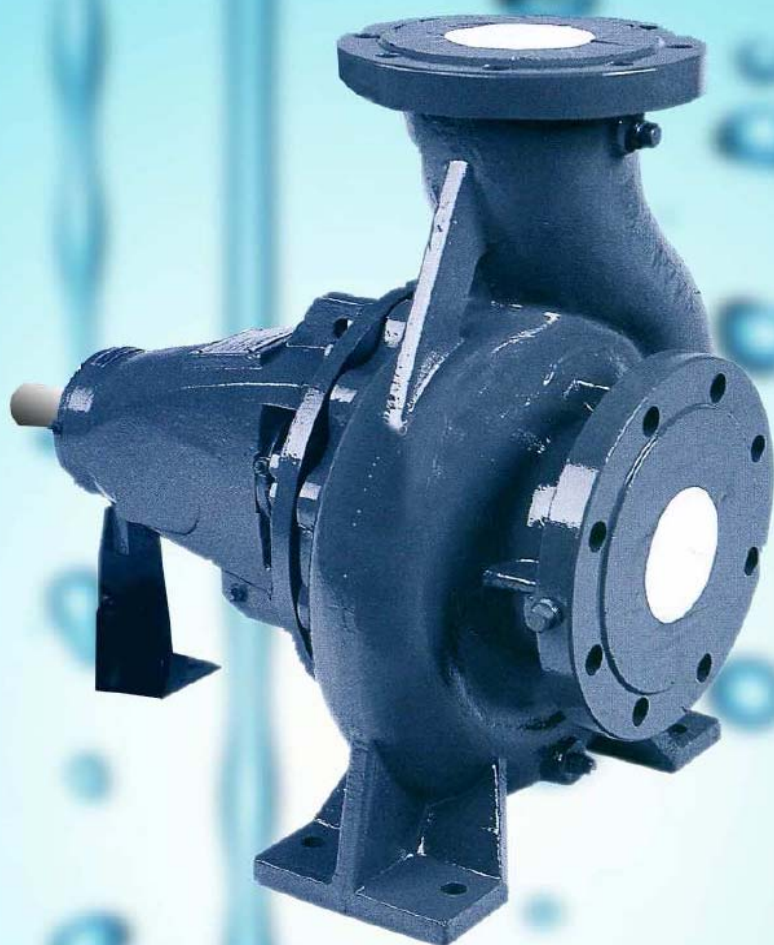
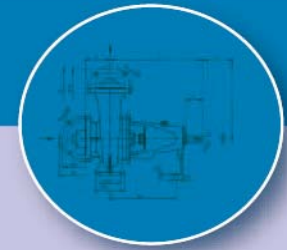


STANFLO

**DIN 24255 End Suction
Centrifugal Pumps**



E-SERIES CATALOGUE



E-SERIES CENTRIFUGAL PUMP

APPLICATION

STANFLO centrifugal pump is suitable for handling water and similar liquids mainly used in the following applications:

Water Supply / Air conditioning / HVAC / Chilled Water Irrigation / Pressure boosting / Fire Protection / Industrial

WORKING PRINCIPLE

The **STANFLO** range of Centrifugal Pumps are Horizontal single stage, end suction centrifugal pumps, complying with the requirements of DIN 24255. This standard covers both performance and dimensions.

The back pull out design allows for easy maintenance and repair as the rotating element may be removed without disturbing the system pipe work.

The volute casing is fitted with a replaceable wear ring and has a suction vane to give smooth flow into the double shrouded hydraulically balanced impeller. Only four shaft assemblies are required to cover the total range, and thus gives many common interchangeable parts for pumps fitted to the same shaft.

Pumps can be supplied in many arrangements including complete with coupling, guard, baseplate and either electric motor or engine driven.

OPERATING RANGE:

- Flowrate (Q): 2 - 1100 m³/hr
- Total Head (H): 2 - 150 Mtrs
- Speed (Ns): 1450 - 2900 rpm (50Hz)
2900 - 3500 rpm (60Hz)
- Temperature: -10°C to 105°C standard, optional 150°C
- Casing Pressure: 10 Bar standard, 16 Bar upon request.

MATERIAL:

Casing: Cast Iron, Optional - Bronze & Stainless Steel
Impeller: Bronze, Optional - Cast Iron & Stainless Steel
Shaft: Stainless Steel SUS 420
Shaft Seal: Mechanical Seal, Optional Gland Packing

DESIGN

DESIGN: Horizontal, single-stage volute casing pumps with dimensions and nominal ratings to DIN 24255

TYPE: End Suction, Centrifugal Back Pull Out

FLANGE: DIN 2332 PN 10 RF

DIRECTION OF ROTATION: Clockwise as viewed from the drive end

TEMPERATURE RANGE:

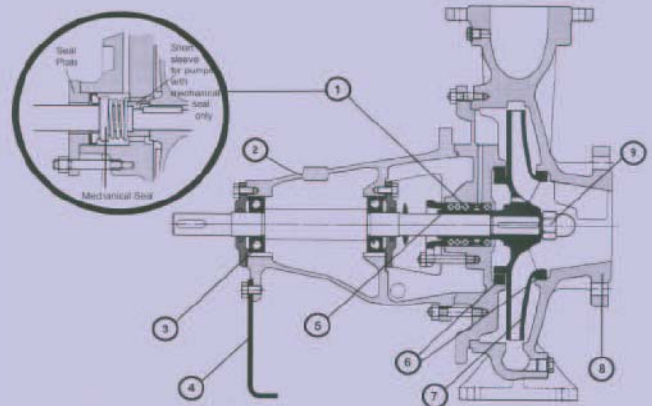
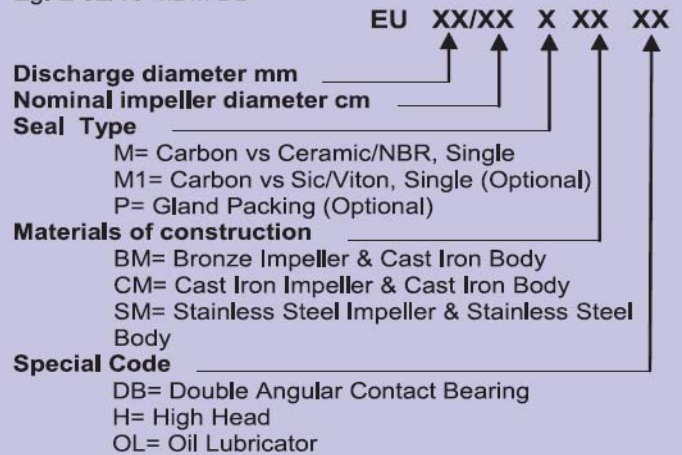
P (Gland Packing): -10 C to 100 C
 M (NBR Mech Seal): -10 C to 105 C
 M1 (Viton Mech Seal): -10 C to 150 C

SPEED RANGE:

Maximum direct coupled speed for pumps varies between 1450 RPM to 3500 RPM, depending upon pump size, and method of drive.

DESIGNATION

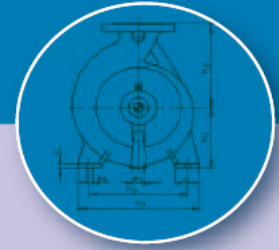
Eg. E 32/13 MBM DB



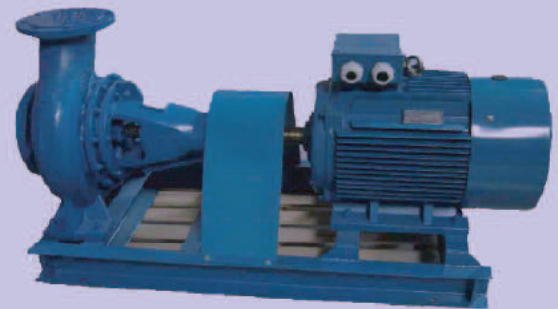
DESCRIPTIONS:

1. Shaft Sealing in Mechanical seal or gland packing.
2. Cast iron bearing housing secured to cover plate and volute.
3. ZZ bearing in grease lubricated. Refer special code
4. Removable bend-plate foot support
5. Shaft protection sleeve. (only for packed pump)
6. Replaceable volute casing wear rings.
7. Double shrouded design of impeller with balancing back vanes. Hydraulically balanced for larger impeller
8. Cast on casing with integrally cast feet. Axial Suction and robust vertical top centre-line discharge. Inlet has cast vane to improve flow into impeller eye. Back pull-out facility. Drive motor can also remain in place if spacer coupling is fitted.
9. The stainless steel shaft is sealed at the impeller by means of dome type locking nut. Four shaft modules cover the entire range and all pumps common to one shaft module have identical bearings, shaft sleeves, seals and impeller fastenings.

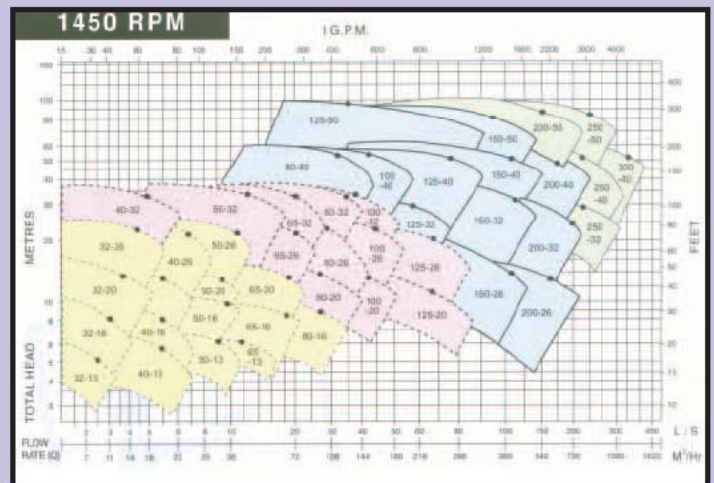
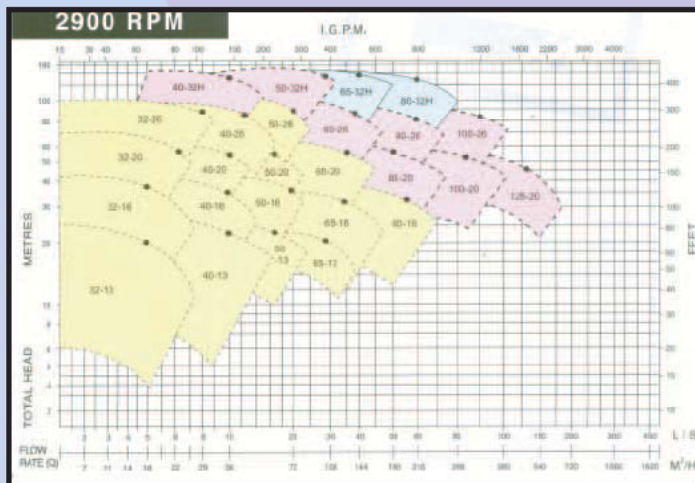
STANFLO



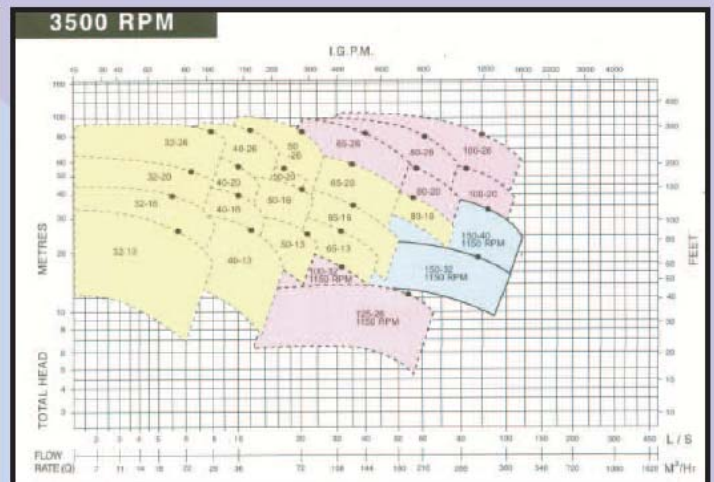
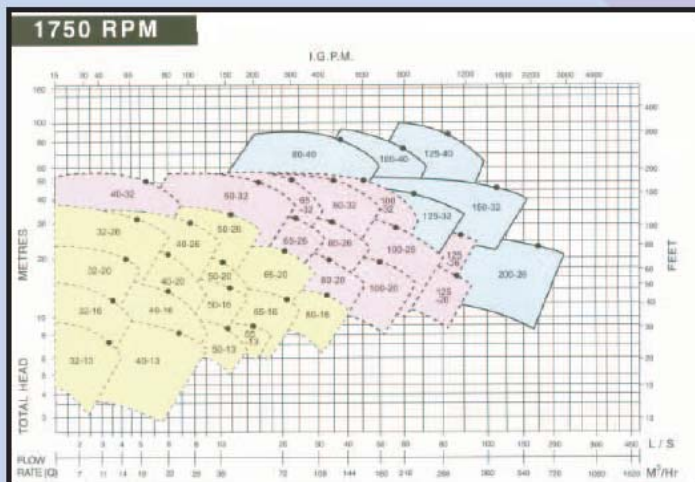
Stanflo pumps have 44 standard greased lubricated models with an additional 4 models with reinforced bearings and larger pedestal housing for heavy duty performance (H type). Suitable for 2 and 4 pole speeds for 50/60 hz operation with an option for 16 bar working pressures available. Stanflo pumps have dimensions and nominal ratings to DIN 24255 based on the process principle where it allows for dismantling of the complete bearing housing towards the drive end without the pump casing having to be disconnected from the piping. If a spacer type coupling is used it is unnecessary to disconnect the motor. Stanflo range requires only four bearing housings. Within a given shaft unit, the shaft, the shaft seal, the impeller nut and the bearings are interchangeable.



E- SERIES - 50 HZ PERFORMANCE CURVES

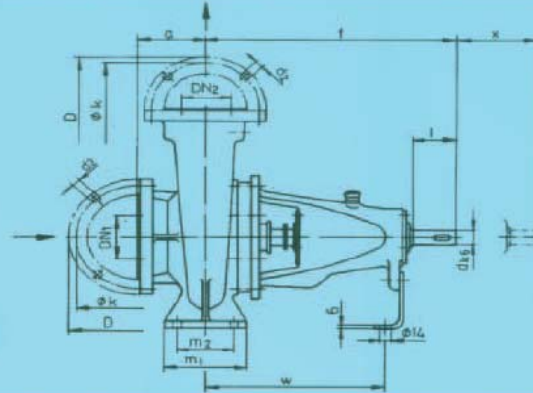
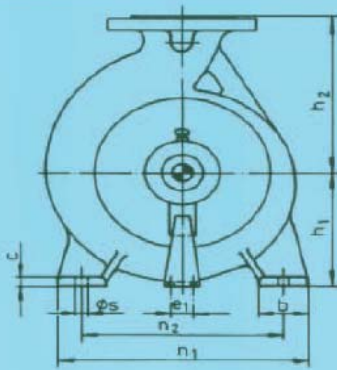


E- SERIES - 60 HZ PERFORMANCE CURVES



STANFLO

E-SERIES PUMP DIMENSIONS



Pump Model	Bearing Housing	DN 1	DN 2	a	f	h1	h2	b	c	e1	m1	m2	n1	n2	s	w	d	l	t	U	X	Wgt
E32-13	25	50	32	80	360	112	140	50	14	100	100	70	190	140	14	267	24	50	27	8	140	27
E32-16	25	50	32	80	360	132	160	50	14	100	100	70	240	190	14	267	24	50	27	8	140	35
E32-20	25	50	32	80	360	160	180	50	14	110	100	70	240	190	14	267	24	50	27	8	140	41
E32-26	25	50	32	100	360	180	225	65	14	110	125	95	320	250	14	267	24	50	27	8	140	59
E40-13	25	65	40	80	360	112	140	50	14	100	100	70	210	160	14	267	24	50	27	8	140	30
E40-16	25	65	40	80	360	132	160	50	14	100	100	70	240	190	14	267	24	50	27	8	140	36
E40-20	25	65	40	100	360	160	180	50	14	110	100	70	265	212	14	267	24	50	27	8	140	44
E40-26	25	65	40	100	360	180	225	65	14	110	125	95	320	250	14	267	24	50	27	8	140	61
E40-32	35	65	40	125	470	200	250	65	14	110	125	95	345	280	14	342	32	80	35	10	140	96
E40-32H	35	65	40	125	500	200	250	65	14	110	125	95	345	280	14	370	32	80	35	10	140	96
E50-13	25	65	50	100	360	132	160	50	14	100	100	70	240	190	14	267	24	50	27	8	140	34
E50-16	25	65	50	100	360	160	180	50	14	110	100	70	265	212	14	267	24	50	27	8	140	38
E50-20	25	65	50	100	360	160	200	50	14	110	100	70	265	212	14	267	24	50	27	8	140	46
E50-26	25	65	50	100	360	180	225	65	14	110	125	95	320	250	14	267	24	50	27	8	140	63
E50-32	35	65	50	125	470	225	280	65	14	110	125	95	345	280	14	342	32	80	35	10	140	101
E50-32H	35	65	50	125	500	225	280	65	14	110	125	95	345	280	14	370	32	80	35	10	140	101
E65-13	25	80	65	100	360	160	180	65	14	110	125	95	280	212	14	267	24	50	27	8	140	39
E65-16	25	80	65	100	360	160	200	65	14	110	125	95	280	212	14	267	24	50	27	8	140	43
E65-20	25	80	65	100	360	180	225	65	14	110	125	95	320	250	14	267	24	50	27	8	140	52
E65-26	35	80	65	100	470	200	250	80	16	110	160	120	360	280	18	342	32	80	35	10	140	81
E65-32	35	80	65	125	470	225	280	80	16	110	160	120	400	315	18	342	32	80	35	10	140	110
E65-32H	45	80	65	125	530	225	280	80	16	110	160	120	400	315	18	370	42	110	45	12	140	110
E80-16	25	100	80	125	360	180	225	65	14	110	125	95	320	250	14	267	24	50	27	8	140	51
E80-20	35	100	80	125	470	180	250	65	14	110	125	95	345	280	14	342	32	80	35	10	140	70
E80-26	35	100	80	125	470	200	280	80	16	110	160	120	400	315	18	342	32	80	35	10	140	91
E80-32	35	100	80	125	470	250	315	80	16	110	160	120	400	315	18	342	32	80	35	10	140	120
E80-32H	45	100	80	125	530	250	315	80	16	110	160	120	400	315	18	370	42	110	45	12	140	120
E80-40	45	100	80	125	530	280	355	80	18	110	160	120	435	355	18	370	42	110	45	12	140	161
E100-20	35	125	100	125	470	200	280	80	16	110	160	120	360	280	18	342	32	80	35	10	140	85
E100-26	35	125	100	140	470	225	280	80	16	110	160	120	400	315	18	342	32	80	35	10	140	106
E100-32	35	125	100	140	470	250	315	80	16	110	160	120	400	315	18	342	32	80	35	10	140	134
E100-40	45	125	100	140	530	280	355	100	18	110	200	150	500	400	22	370	42	110	45	12	140	174
E125-20	35	150	125	140	470	250	315	80	18	110	160	120	400	315	18	342	32	80	35	10	180	111
E125-26	35	150	125	140	470	250	355	80	16	110	160	120	400	315	18	342	32	80	35	10	140	115
E125-32	45	150	125	140	530	280	355	100	18	110	200	150	500	400	22	370	42	110	45	12	140	163
E125-40	45	150	125	140	530	315	400	100	18	110	200	150	500	400	22	370	42	110	45	12	140	181
E125-50*	45	150	125	160	630	355	450	120	35	180	250	180	620	500	26	400	55	110	45	12	160	140
E150-26	45	200	150	160	530	280	375	100	18	110	200	150	500	400	22	370	42	110	45	12	180	164
E150-32	45	200	150	160	530	280	400	100	18	110	200	150	550	450	22	370	42	110	45	12	140	170
E150-40	45	200	150	160	530	315	450	100	18	110	200	150	550	450	22	370	42	110	45	12	140	209
E150-50*	45	200	150	160	630	355	500	120	35	180	250	180	670	550	20	400	55	110	45	12	160	
E200-26*	45	250	200	180	550	280	400	100	25	180	200	150	550	450	26	340	42	110	45	12	180	
E200-32*	45	250	200	180	550	315	450	100	28	180	200	150	550	450	20	340	42	110	45	12	180	
E200-40*	45	250	200	180	630	335	450	120	35	180	250	180	620	500	20	410	55	110	45	12	180	
E200-50*	60	250	200	210	875	400	500	160	30	140	300	240	720	600	27	511	55	110	45	12	200	
E250-32*	55	300	250	200	670	355	525	100	24	110	250	175	600	500	23	511	48	110	45	12	200	
E250-40*	60	300	250	250	670	400	500	120	25	110	300	250	710	600	24	511	55	140	45	12	200	
E250-50*	70	300	250	240	875	425	545	160	30	140	300	200	720	600	27	625	70	140	45	12	200	

Flange mating dimensions to DIN 2501

DN2/DN1	PN 10											
	32	40	50	65	80	100	125	150	200			
D	140	150	165	191	200	235	229	270	254	300	285	343
K	100	110	125	145	160	160	210	240	295			
D2x number	18 x 4	18 x 4	18 x 4	18 x 4	18 x 8	18 x 8	18 x 8	22 x 8	22 x 8			

AUTHORIZED DISTRIBUTOR